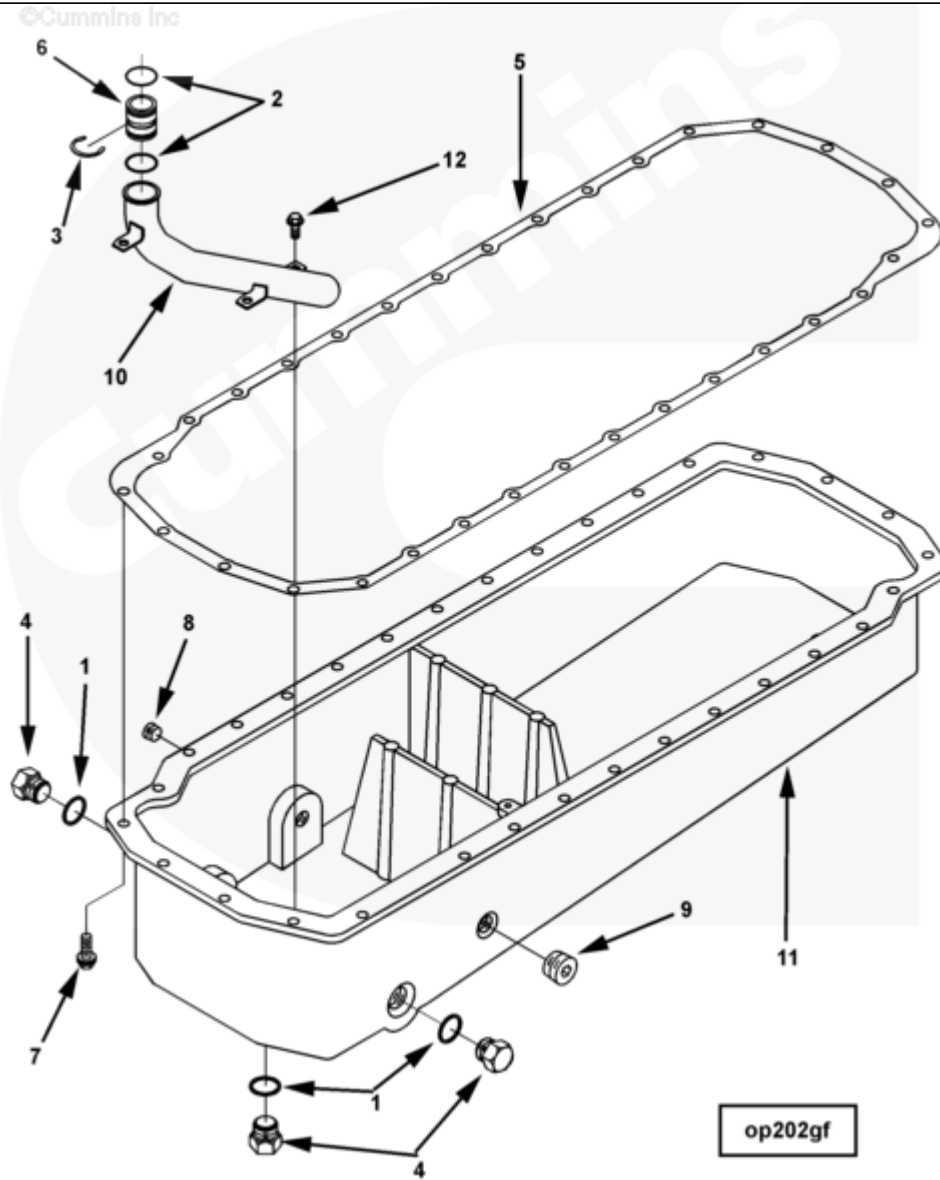




Parts Catalog - Option Detail

| Electronic Parts Catalog - Option Detail | | | | |
|--|--|---------|-----------|-----------|
| Option | Group | Graphic | Film Card | Date |
| OP2120-03 | 07.01 | op202gf | II | 07-APR-06 |
| Engines | ISM CM570, ISM CM570/870, ISM CM875, ISM CM876, ISM CM876 E, ISM11 CM876 M103, ISM11 CM876 SN, M11 CELECT, M11 CELECT PLUS, M11 MECHANICAL, QSM11 CM570, QSM11 CM876 | | | |



[SMALL](#) | [MEDIUM](#) | [LARGE](#)

| Cart | Ref No | Part Number | Part Description | Required | Remarks |
|------------------------------|--------|-------------|------------------|----------|---------|
| View My Cart | | | | | |
| | | OP2120-03 | Oil Pan | | |

| | | | | | |
|--------------------------|---|-------------------------|----------------|---|-------------------------------|
| | | | | | Oil Pan |
| | | | | | Sump Location: Front |
| | | | | | Material: Cast Aluminum |
| | | | | | High Oil Pan Capacity: |
| | | | | | 30.28 L (8.0 Gal) |
| | | | | | Low Oil Pan Capacity: 26.5 L |
| | | | | | (7.0 Gal) |
| | | | | | Angularity Limits: |
| | | | | | 15 Degrees Front Down |
| | | | | | 31 Degrees Rear Down |
| | | | | | 37 Degrees Fuel Pump Down |
| | | | | | 45 Degrees Exhaust Down |
| | | | | | Drain Loc (1"-18 UNS): Bottom |
| | | | | | And Both Sides |
| | | | | | Lube Oil Suction Tube: |
| | | | | | Oil Pan Mounted |
| | | | | | Noise Panel Provision: No |
| | | | | | Oil Heater Boss (1" NPTF): |
| | | | | | Left Side |
| | | | | | Oil Temperature Boss (1/2" |
| | | | | | NPTF): Right Side |
| | | | | | Low Oil Level Sensor Boss |
| | | | | | (3/8" NPTF): None |
| | | | | | Rust Inhibitor Required: No |
| | | | | | |
| <input type="checkbox"/> | 1 | 67946 | Plain Washer | 1 | 1 1/32 in. |
| <input type="checkbox"/> | 2 | 3032787 | O-Ring Seal | 2 | |
| <input type="checkbox"/> | 3 | 3033073 | Retaining Ring | 1 | |
| <input type="checkbox"/> | 4 | 3055069 | Threaded Plug | 1 | 1 - 18 UNS. |

| | | | | | |
|--------------------------|----|-------------------------|-------------------------------|----|-----------------|
| <input type="checkbox"/> | 5 | 3401290 | Oil Pan Gasket | 1 | |
| <input type="checkbox"/> | 6 | 3883036 | Lubricating Oil Transfer Tube | 1 | |
| <input type="checkbox"/> | 7 | 3896724 | Hexagon Flange Head Cap Screw | 32 | M10 x 1.50 x 30 |
| <input type="checkbox"/> | | 4059956 | Pan , Oil Top Level Assembly | 1 | |
| <input type="checkbox"/> | 1 | 67946 | Plain Washer | 2 | 1 1/32 in. |
| <input type="checkbox"/> | 8 | 3008468 | Pipe Plug | 1 | 1/2 NPT. |
| <input type="checkbox"/> | 9 | 3008470 | Pipe Plug | 1 | 1 NPT. |
| <input type="checkbox"/> | | 3055069 | Threaded Plug | 2 | 1 - 18 UNS. |
| | | 4059955 | Oil Pan | 1 | |
| <input type="checkbox"/> | 10 | 3070764 | Lubricating Oil Suction Tube | 1 | |
| | 11 | 4059954 | Oil Pan | 1 | |
| <input type="checkbox"/> | 12 | 3900630 | Hexagon Flange Head Cap Screw | 3 | M8 X 1.25 X 20 |
| | | 4952187 | | 1 | |